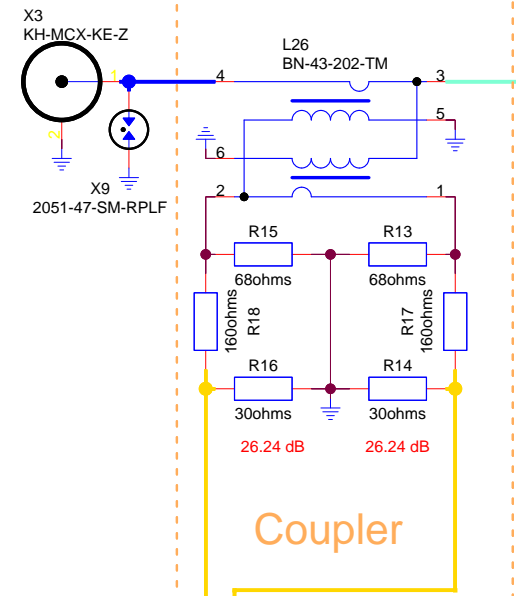
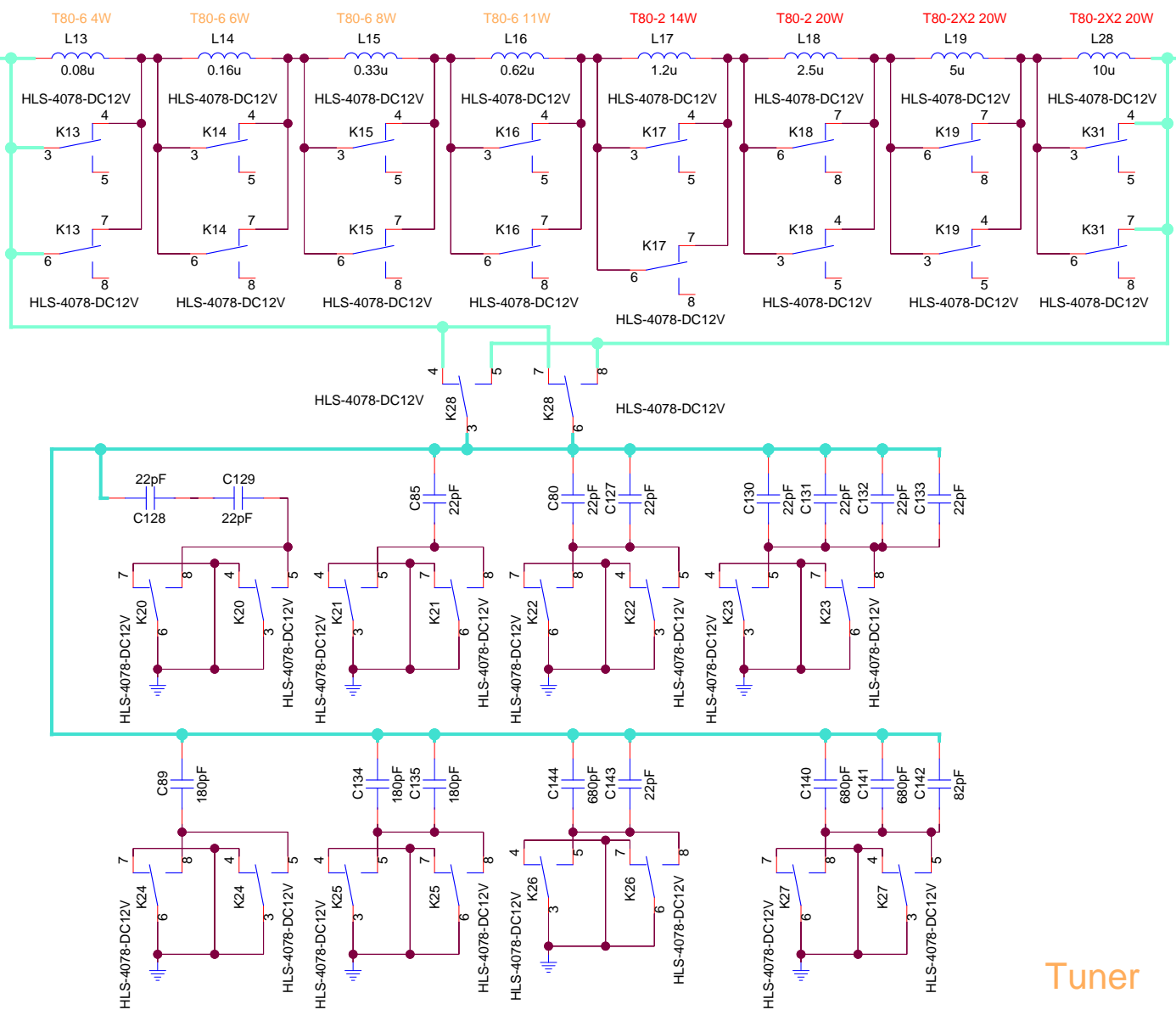


Input

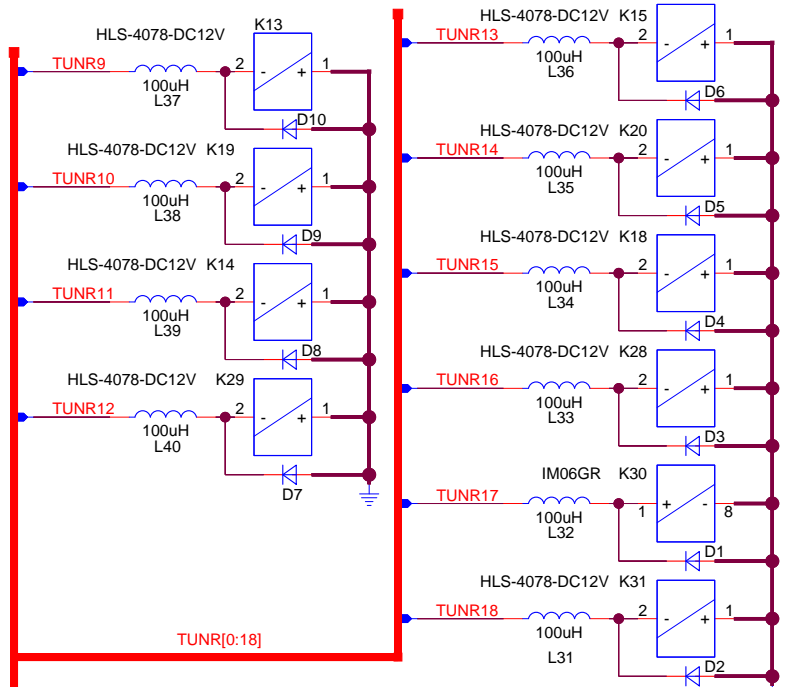
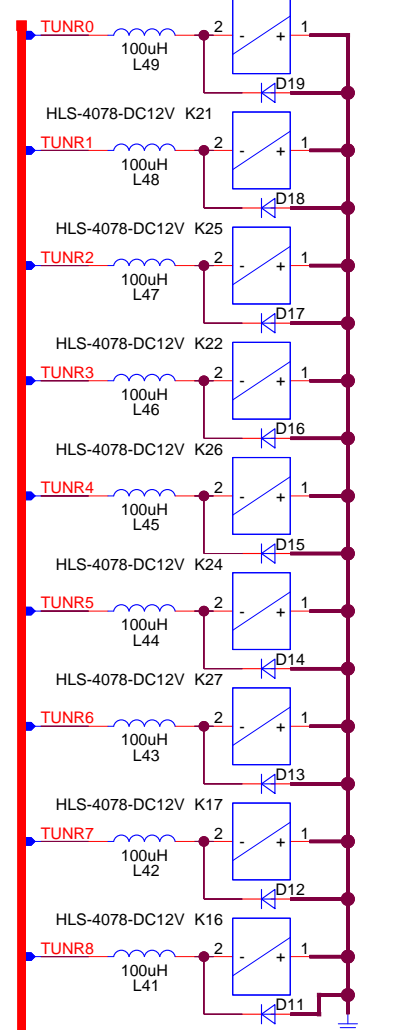
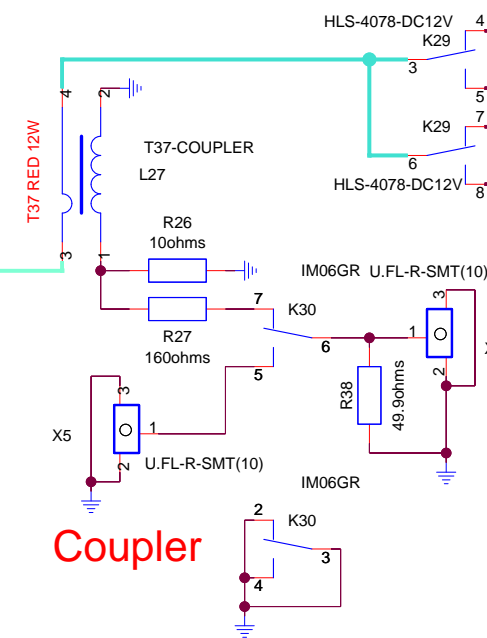


Coupler



Tuner

Coupler



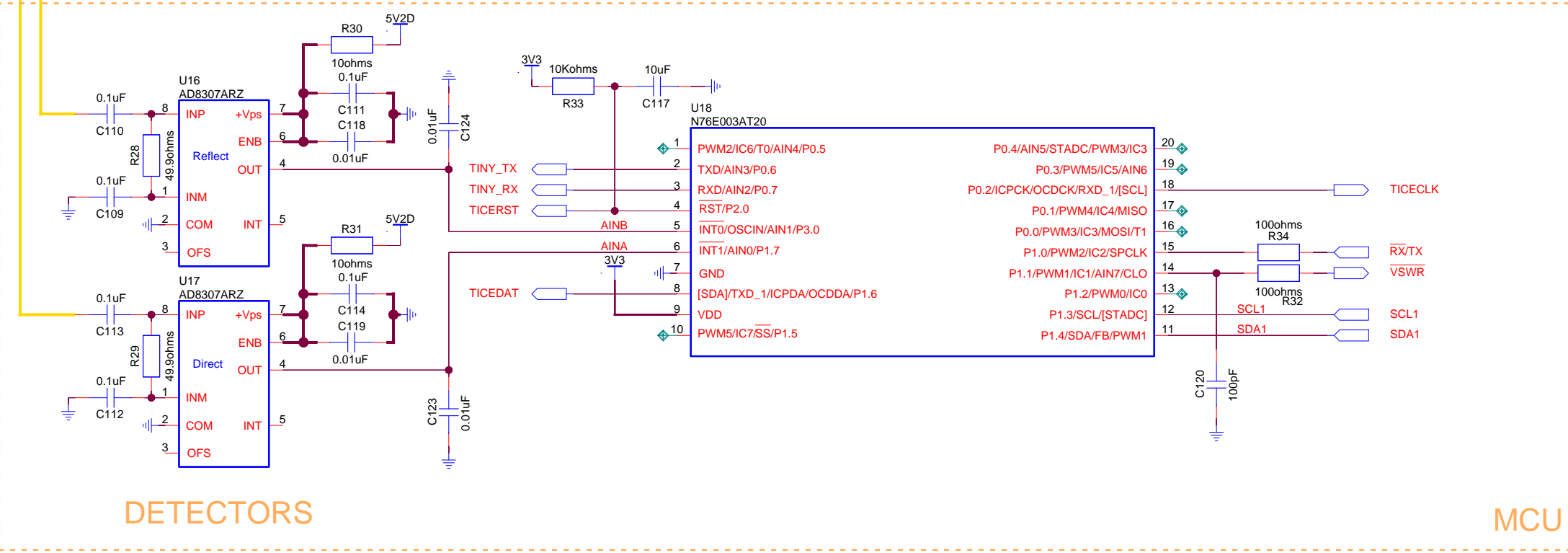
C

C

B

B

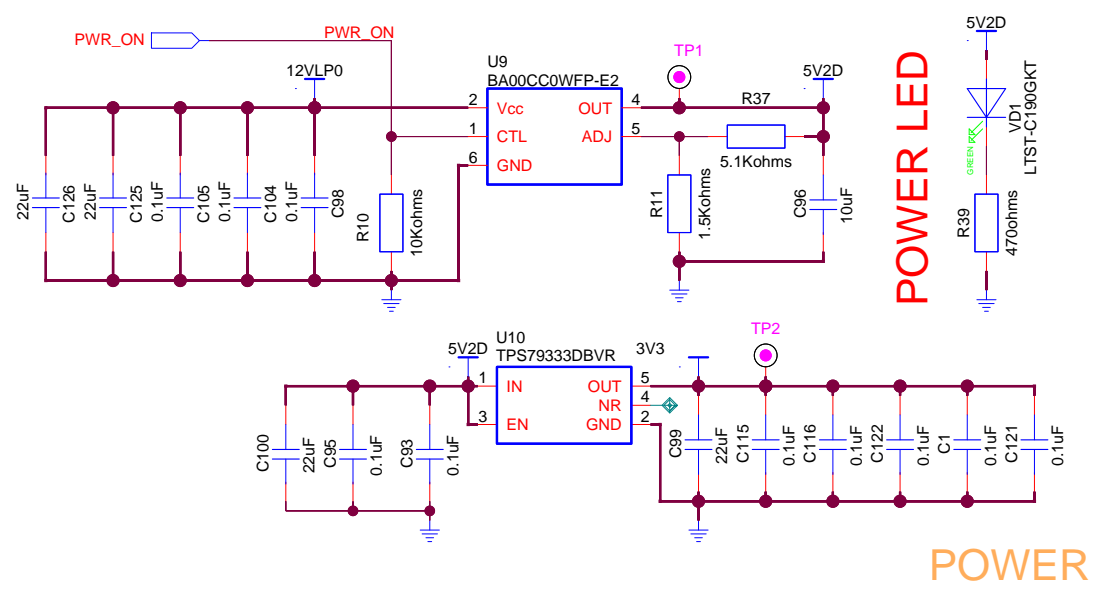
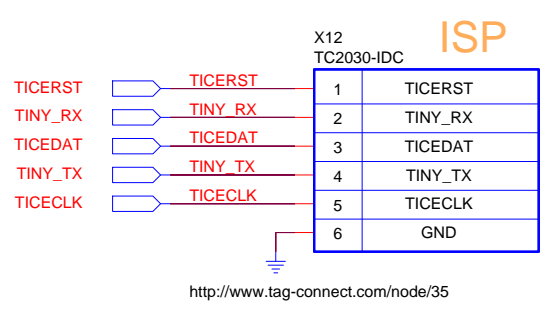
DETECTORS



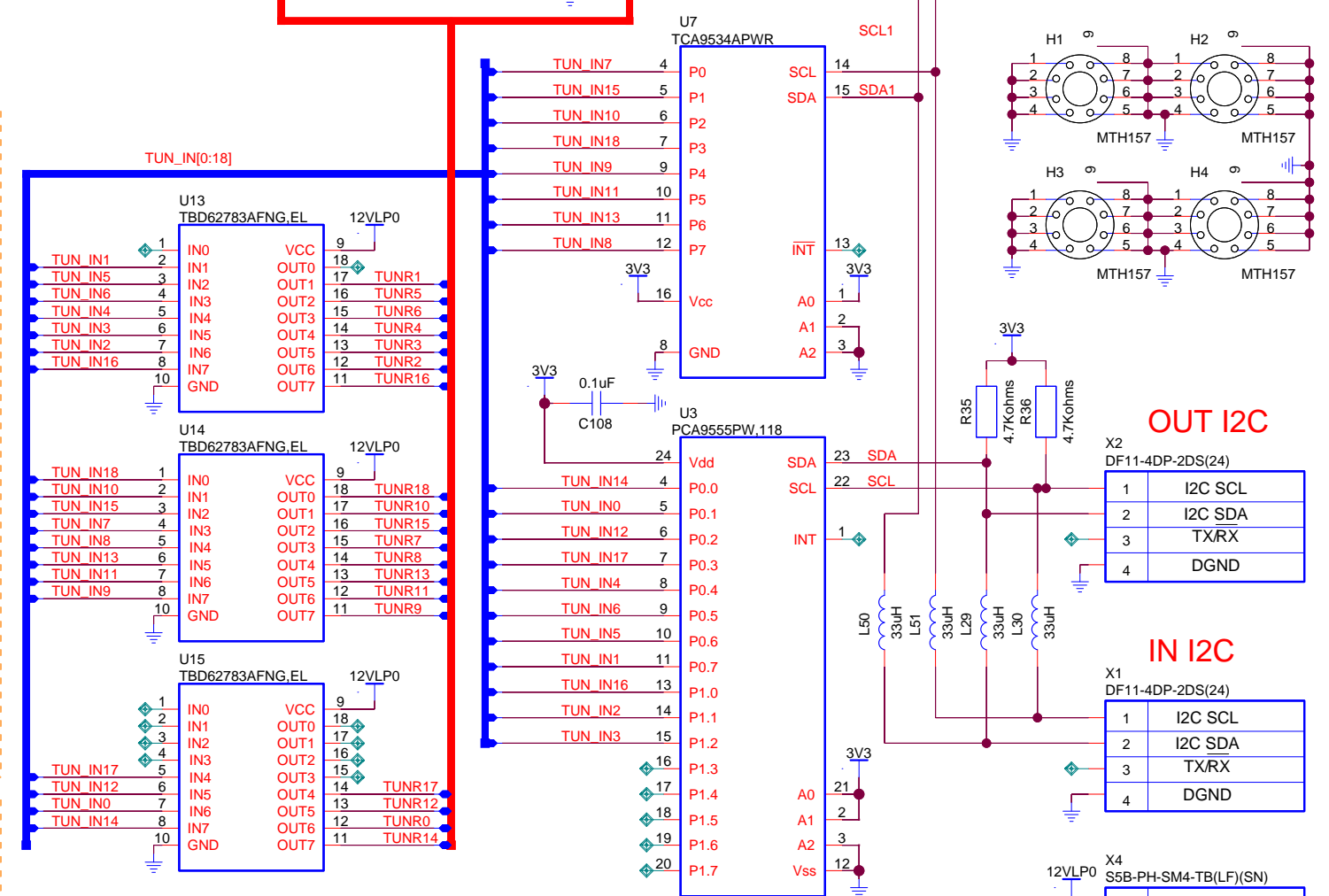
MCU

History of changes:

- Rev 2.0
 - initial release
- Rev 2.1
 - U7-3 connected to 3V3
 - R27-28 removed
 - R16,14 changed to 30 ohms
 - R17,18 changed to 160 ohms
 - R15,13 changed to 68 ohms
 - D7 connection fixed
 - R27 changed to 160 ohms
 - Added C123-124
 - R12 5.1K
 - U16-U17 powered by 5.2VDC
 - Added attenuator 10dB to input sampler
 - R15-16 are 1206 size
 - Changed types of ATU capacitors to ATB
 - U9 replaced by BA00CC0WFP-E2
 - R11 1.5K
 - C101 deleted
 - Added C125-126
 - Unified capacitors for LC tuning part
 - Added R38
 - Grounded unused relays contacts
- Rev 2.2
 - U7.2 & U7-3 connected to GND
 - X3 changed to KH-MCX-KE-Z



POWER



OUT I2C

IN I2C

TITLE			ErmakTUN		
SIZE	DWG NO	REV			
C					
SCALE	SHEET 1	of 1	01/08/2022:19:09		

A

A